

Project Diagrams

SHAKER STYLE STANDARD UPPER CABINET

v1.0



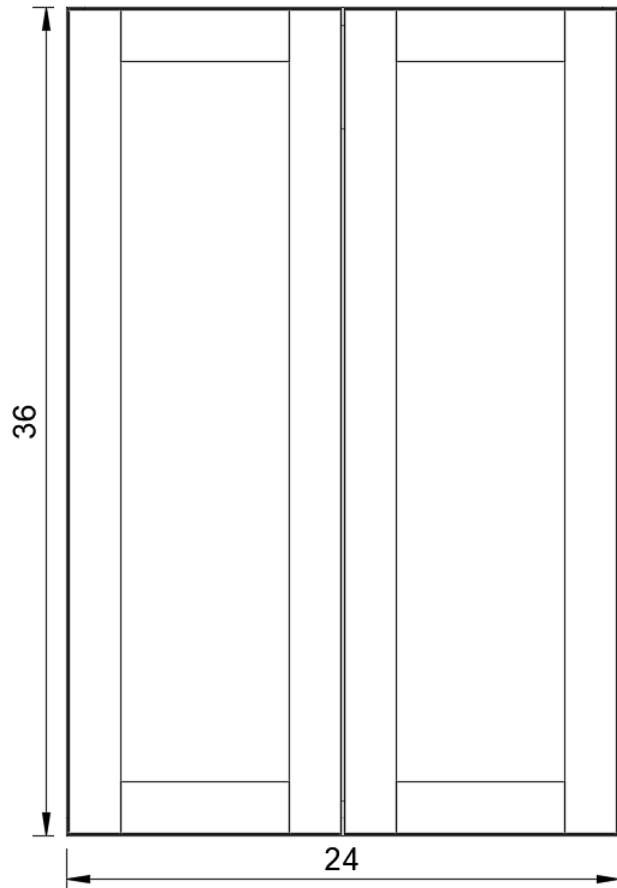
These diagrams are intended to supplement the project instructions found here:
projectbilld.com/blog/shaker-style-upper-cabinets

Contents

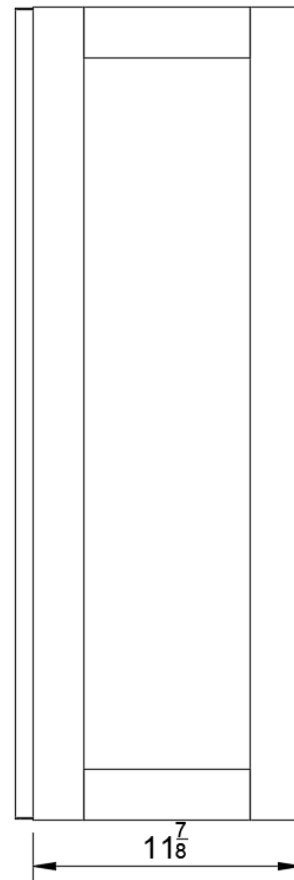
OVERVIEW..... 3
CABINET BODY 4
CABINET DOORS..... 7

OVERVIEW

Front View



Side View



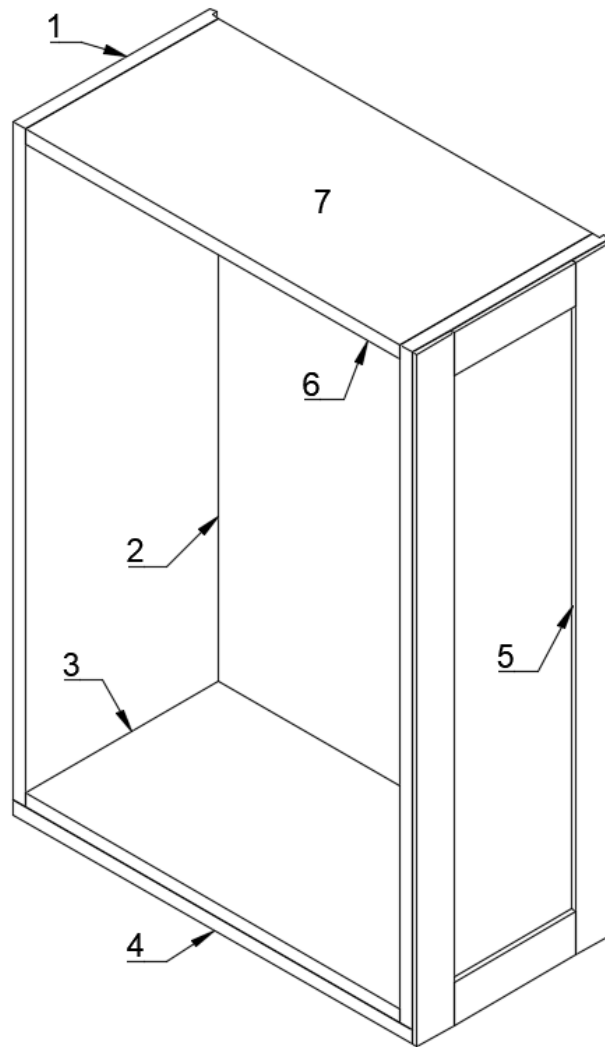
Project Notes

- These plans are for a cabinet with a depth of $11\frac{7}{8}$, a width of 24, and a height of 36 inches. Modify the depth, width, and height (and any corresponding measurements) as needed.
- If you'd like to attach crown molding to the top edge of this cabinet, add blocking to the top of the cabinet or modify the design so you have something to attach the crown molding to.
- These diagrams are for a right end cabinet.
 - For a left end cabinet, flip the outside trim to the opposite of the cabinet.
 - For a cabinet with no exposed sides, omit the outside trim.

CABINET BODY

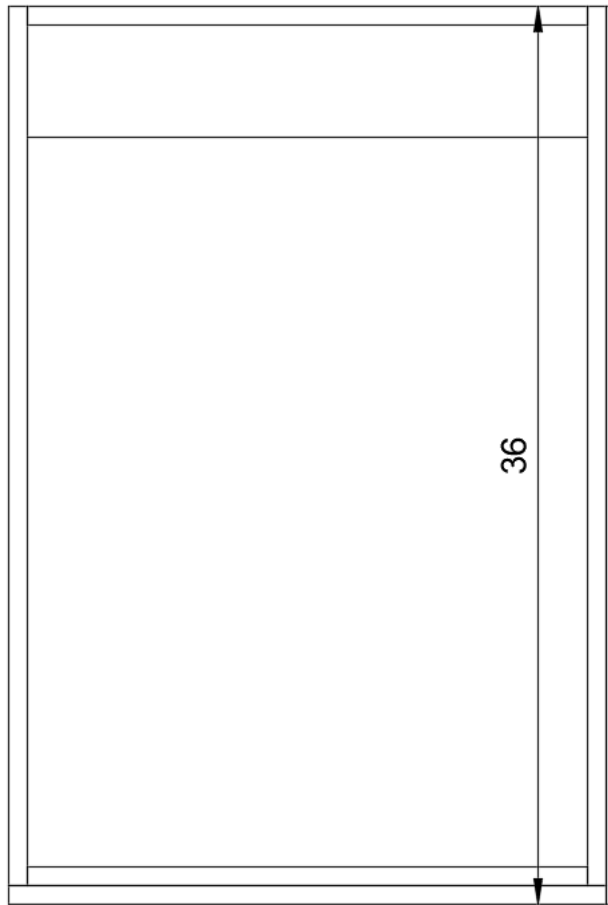
Parts List

Note: All $\frac{3}{4}$ inch plywood edges that will be visible after assembly are edge banded

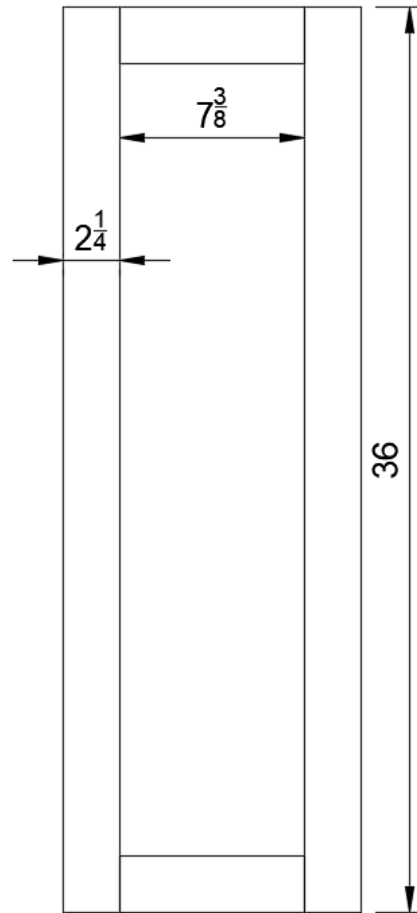


ITEM	QTY	DESCRIPTION	DIMENSIONS (IN)
1	2	Side Panels	35 $\frac{1}{4}$ x 11 $\frac{7}{8}$ x $\frac{3}{4}$
2	1	Back Panel	34 $\frac{1}{2}$ x 23 $\frac{1}{8}$ x $\frac{1}{4}$
3	1	Bottom Panel	22 $\frac{1}{2}$ x 11 $\frac{7}{8}$ x $\frac{3}{4}$
4	4	Bottom Trim	See Bottom View
5	4	Side Trim	See Side View
6	1	Main Stretcher (Not Visible Above)	22 $\frac{1}{2}$ x 4 $\frac{1}{2}$ x $\frac{3}{4}$
7	1	Top Panel	22 $\frac{1}{2}$ x 11 $\frac{5}{8}$ x $\frac{3}{4}$

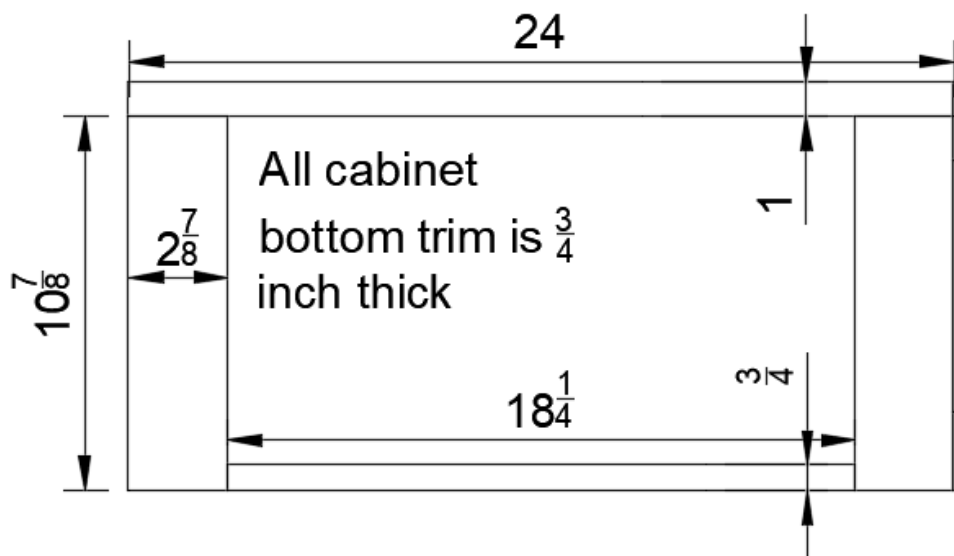
Front View



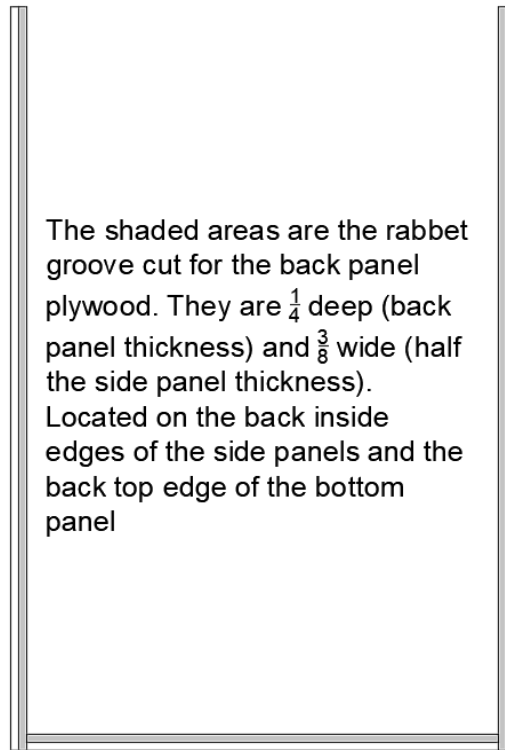
Side View



Bottom View

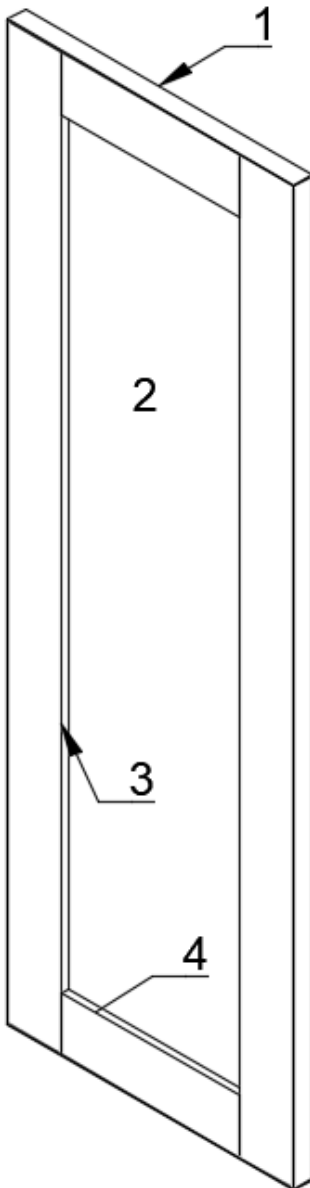


Back View



CABINET DOORS

Parts Lists



ITEM	QTY	DESCRIPTION	DIMENSIONS (IN)
1	4	Edge Banding Strips	Varies
2	1	Plywood Panel	$35 \frac{13}{16} \times 11 \frac{13}{16} \times \frac{1}{2}$
3	2	Stiles	$35 \frac{13}{16} \times 2 \frac{1}{4} \times \frac{1}{4}$
4	2	Rails	$7 \frac{5}{16} \times 2 \frac{1}{4} \times \frac{1}{4}$

Notes:

- The Plywood Panel measures $\frac{1}{16}$ less than the height and width of the door size to account for the thickness of the edge banding ($\frac{1}{32} * 2$). The actual door size is $35 \frac{7}{8} \times 11 \frac{7}{8}$.
- The doors have a $\frac{1}{16}$ reveal on all other sides (including the bottom) to sum to a $\frac{1}{8}$ gap between doors where they meet. *Optional* If this cabinet won't be on top of another you can add $\frac{1}{16}$ to the height of the door and install it flush with the bottom edge of the cabinet.
- Quantities listed are for 1 door. Double for making 2 doors.

If you enjoyed the plans, please consider supporting my work by [donating to Project Billd](#).

If you have any questions about dimensions or find a mistake in these diagrams, please contact me via email using my contact page at projectbilld.com/contact and I'll get back to you as soon as possible!

Happy billding!

-Bill