

Project Diagrams

SHAKER STYLE STACKED UPPER CABINET

v1.0



These diagrams are intended to supplement the project instructions found here:

projectbilld.com/blog/shaker-style-upper-cabinets

To help keep these designs free, be sure to [subscribe](#) and share where you got the inspiration from!

Contents

OVERVIEW..... 3

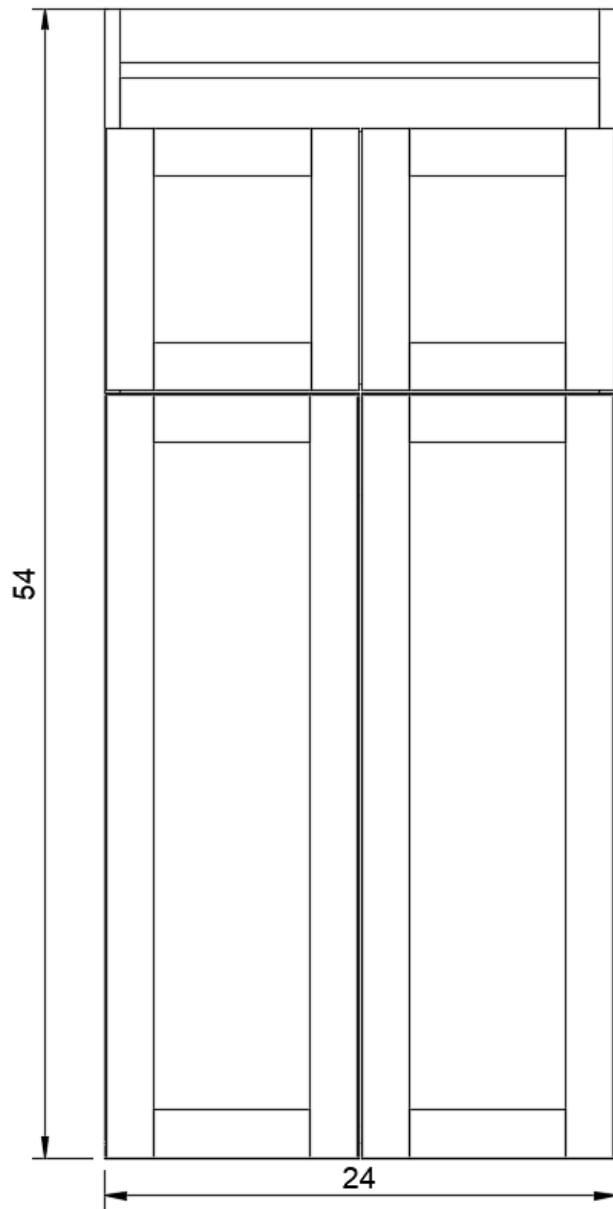
CABINET BODY 5

CABINET DOORS..... 8

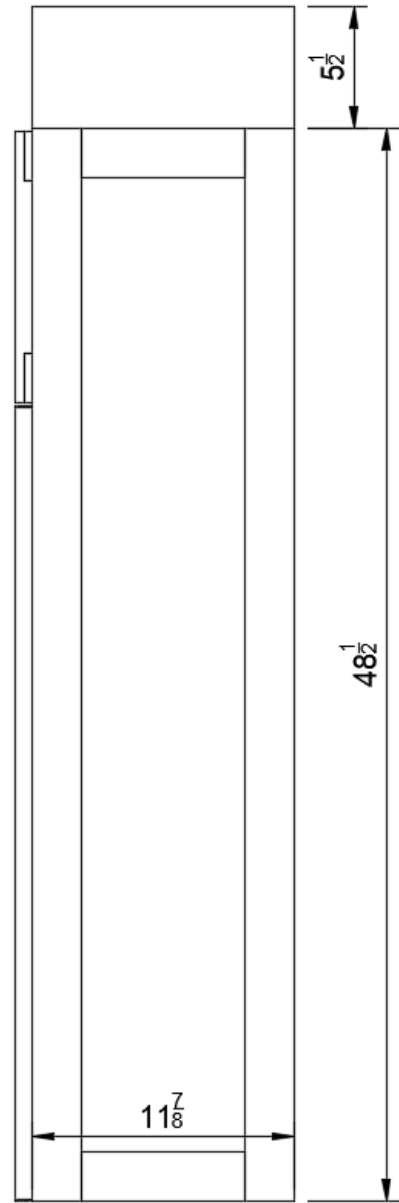
FROSTED GLASS DOORS..... 9

OVERVIEW

Front View



Side View



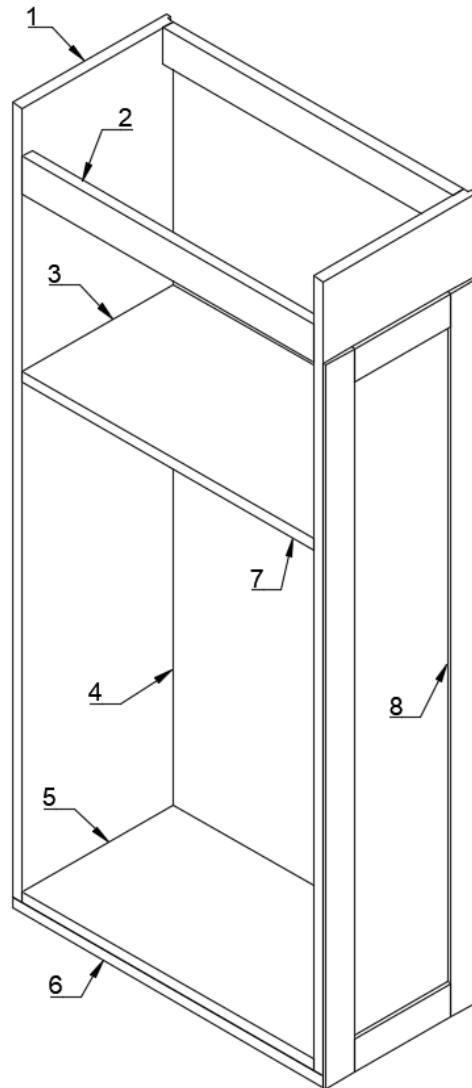
Project Notes

- These plans are for a cabinet with a depth of 11 7/8, a width of 24, and a height of 54 inches. Modify the depth, width, and height (and any corresponding measurements) as needed.
- This upper cabinet is intended for a kitchen with 9ft ceilings
 - For shorter ceilings, you could remove the frosted glass section and adjust the lower cabinet section as needed.
 - For taller ceilings, you could make the lower cabinet section taller than 36 inches and adjust the frosted glass section as needed.
- I'm using a crown molding with a vertical height of 5 1/2 inches. Use whatever crown molding you like but adjust the height of the rest of the cabinet accordingly.
- These diagrams are for a right end cabinet.
 - For a left end cabinet, flip the outside trim to the opposite of the cabinet.

CABINET BODY

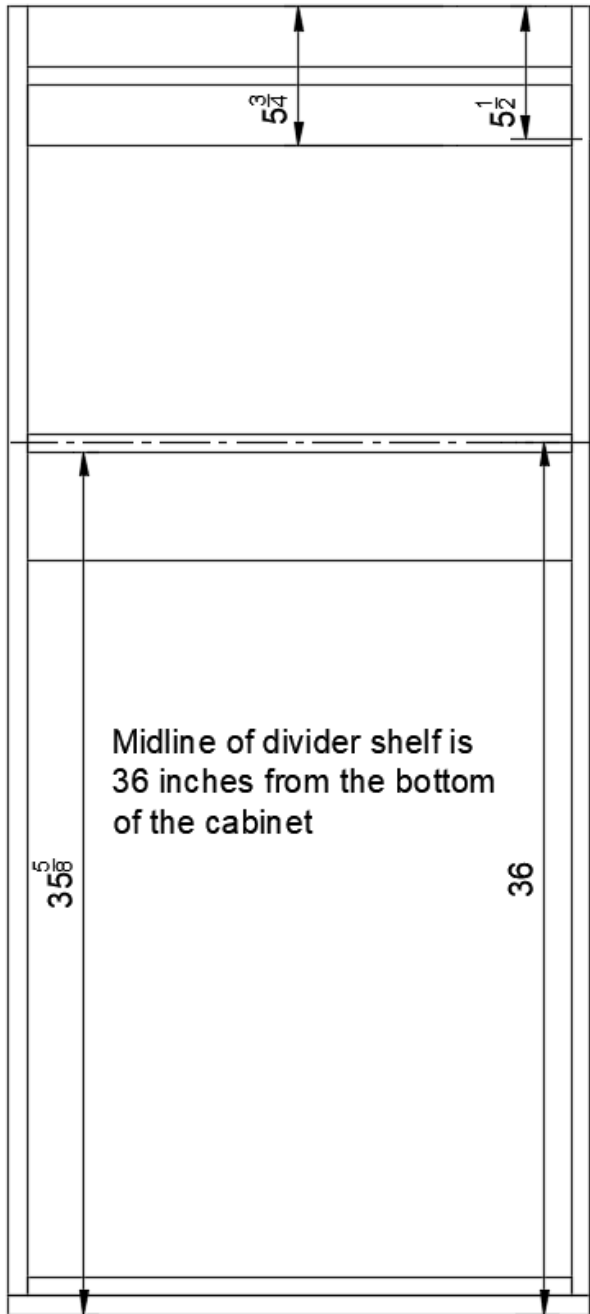
Parts List

Note: All $\frac{3}{4}$ inch plywood edges that will be visible after assembly are edge banded

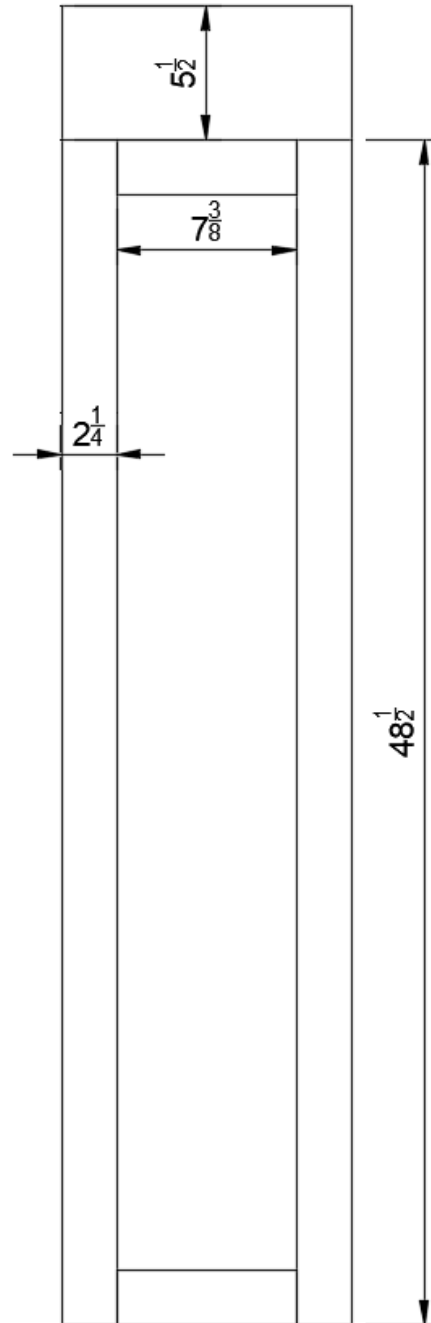


ITEM	QTY	DESCRIPTION	DIMENSIONS (IN)
1	2	Side Panels	53 $\frac{1}{4}$ x 11 $\frac{7}{8}$ x $\frac{3}{4}$
2	2	Small Stretchers	22 $\frac{1}{2}$ x 2 $\frac{1}{2}$ x $\frac{3}{4}$
3	1	Divider Shelf	22 $\frac{1}{2}$ x 11 $\frac{5}{8}$ x $\frac{3}{4}$
4	1	Back Panel	52 $\frac{1}{2}$ x 23 $\frac{1}{8}$ x $\frac{1}{4}$
5	1	Bottom Panel	22 $\frac{1}{2}$ x 11 $\frac{7}{8}$ x $\frac{3}{4}$
6	4	Bottom Trim	See Bottom View
7	1	Main Stretcher (Not Visible Above)	22 $\frac{1}{2}$ x 4 $\frac{1}{2}$ x $\frac{3}{4}$
8	4	Side Trim	See Side View

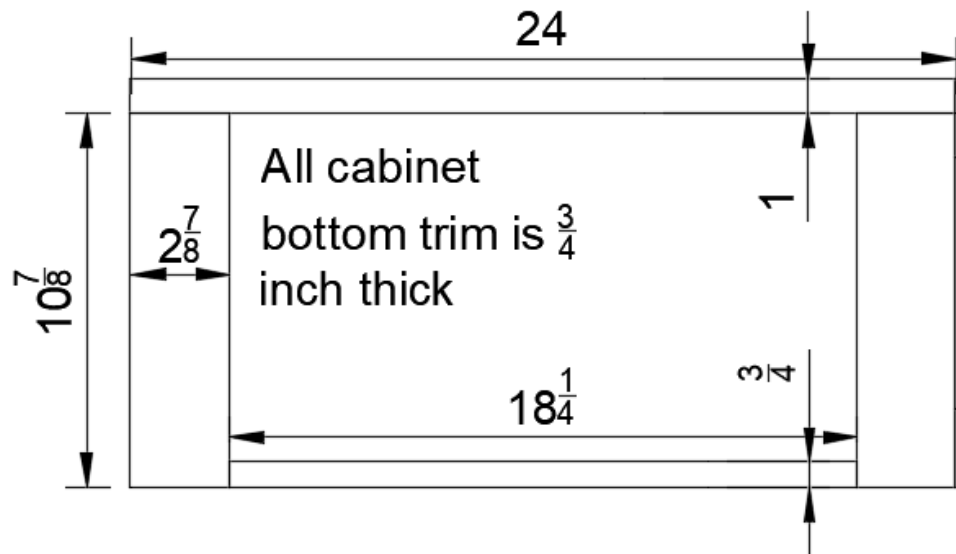
Front View



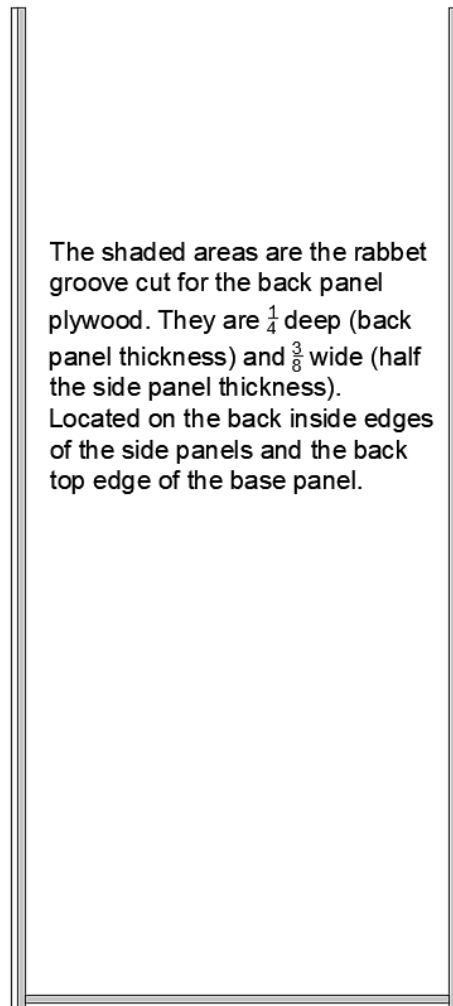
Side View



Bottom View

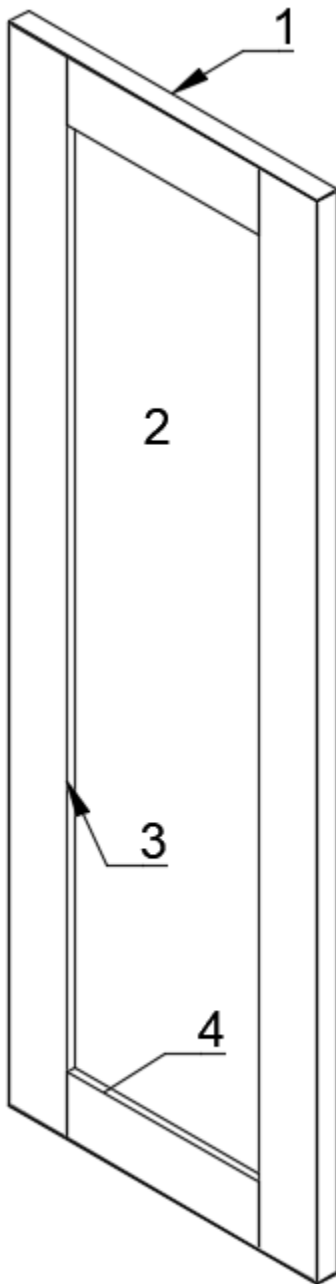


Back View



CABINET DOORS

Parts Lists



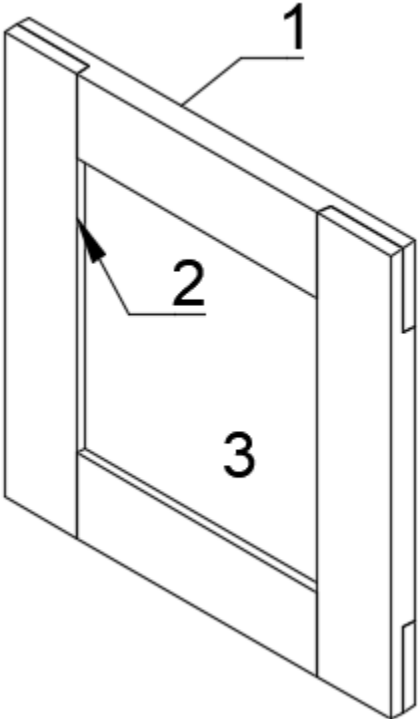
ITEM	QTY	DESCRIPTION	DIMENSIONS (IN)
1	4	Edge Banding Strips	Varies
2	1	Plywood Panel	$35 \frac{7}{8} \times 11 \frac{13}{16} \times \frac{1}{2}$
3	2	Stiles	$35 \frac{7}{8} \times 2 \frac{1}{4} \times \frac{1}{4}$
4	2	Rails	$7 \frac{5}{16} \times 2 \frac{1}{4} \times \frac{1}{4}$

Notes:

- The Plywood Panel measures $\frac{1}{16}$ less than the height and width of the door size to account for the thickness of the edge banding ($\frac{1}{32} * 2$). The actual door size is $35 \frac{15}{16} \times 11 \frac{7}{8}$.
- The doors are flush with the bottom of the cabinet but have a $\frac{1}{16}$ reveal on all other sides to sum to a $\frac{1}{8}$ gap between doors where they meet.
- Quantities listed are for 1 door. Double for making 2 doors

FROSTED GLASS DOORS

Parts Lists

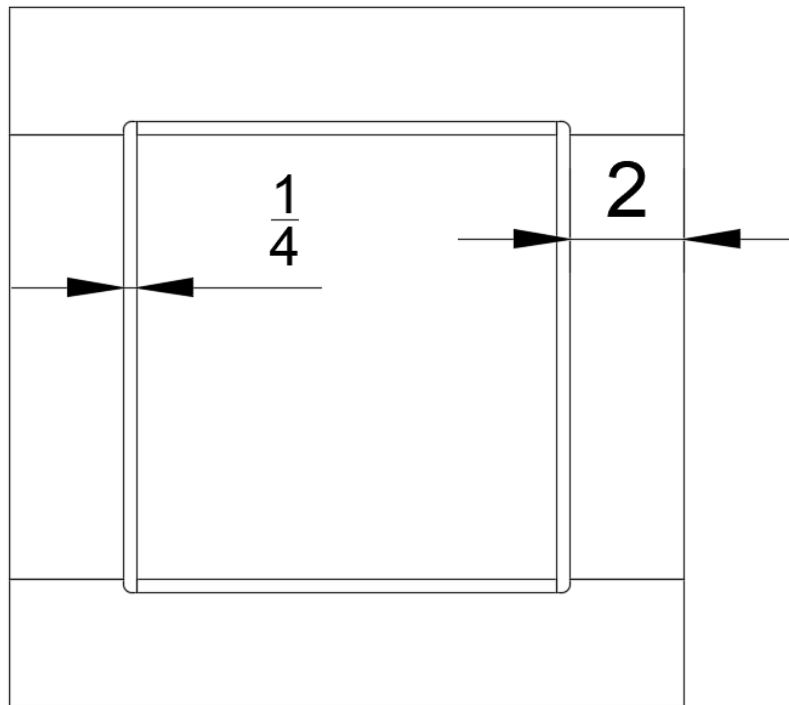


ITEM	QTY	DESCRIPTION	DIMENSIONS (IN)
1	2	Rail Piece	11 ⁷ / ₈ x 2 ¹ / ₄ x ³ / ₄
2	2	Stile	12 ⁵ / ₁₆ x 2 ¹ / ₄ x ³ / ₄
3	1	Frosted Glass	See Back View

Notes:

Quantities listed are for 1 door. Double for making 2 doors

Back View



Notes:

- The polycarbonate/plexiglass measures $\frac{1}{16}$ of an inch less in both directions than the opening and the corners have a slightly larger radius than the opening. For example, the glass opening here is $8 \frac{5}{16}$ tall by $7 \frac{7}{8}$ wide with $\frac{3}{8}$ diameter corners and the glass measures $8 \frac{1}{4}$ tall by $7 \frac{13}{16}$ wide with $\frac{7}{16}$ diameter corners.

If you enjoyed the plans, please consider supporting my work by [donating to Project Billd](#).

If you have any questions about dimensions or find a mistake in these diagrams, please contact me via email using my contact page at projectbilld.com/contact and I'll get back to you as soon as possible!

Happy billding!

-Bill