

Project Diagrams

SHAKER STYLE KITCHEN BASE CABINET

v1.0



These diagrams are intended to supplement the project instructions found here:

projectbilld.com/blog/shaker-style-base-cabinets

To help keep these designs free, be sure to [subscribe](#) and share where you got the inspiration from!

Contents

OVERVIEW..... 3

CABINET BASE 4

CABINET BODY 5

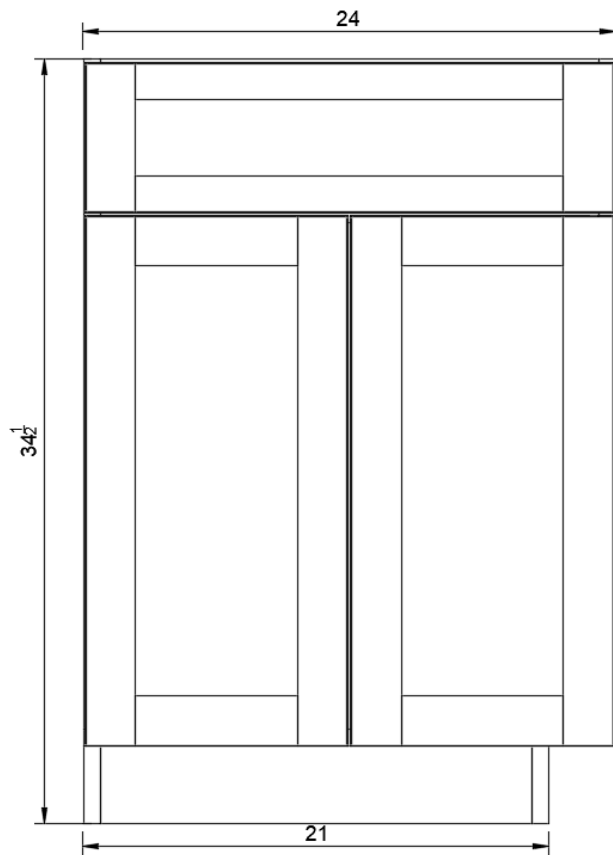
CABINET DRAWER..... 9

CABINET DOORS..... 10

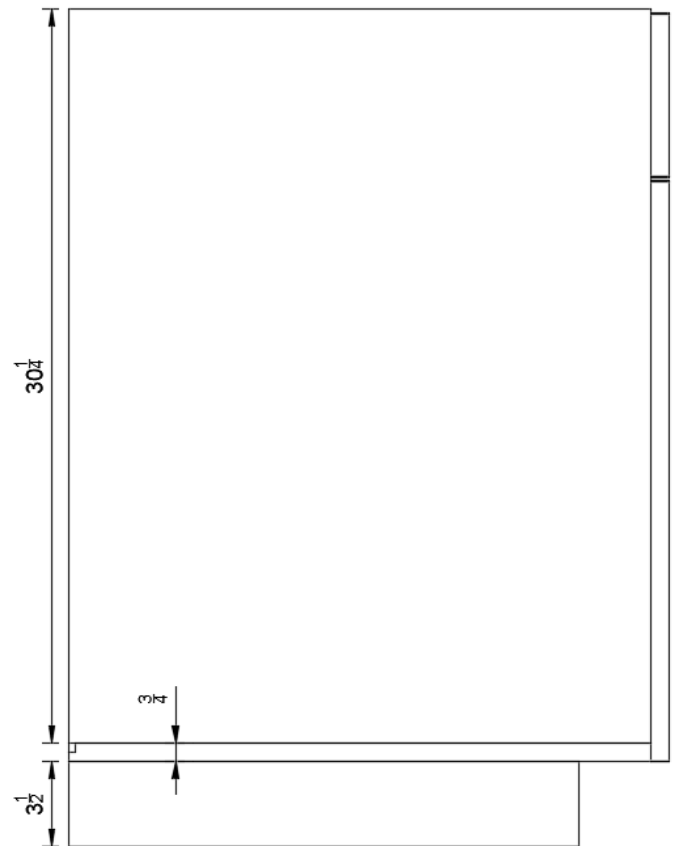
DRAWER FACE..... 11

OVERVIEW

Front View



Side View

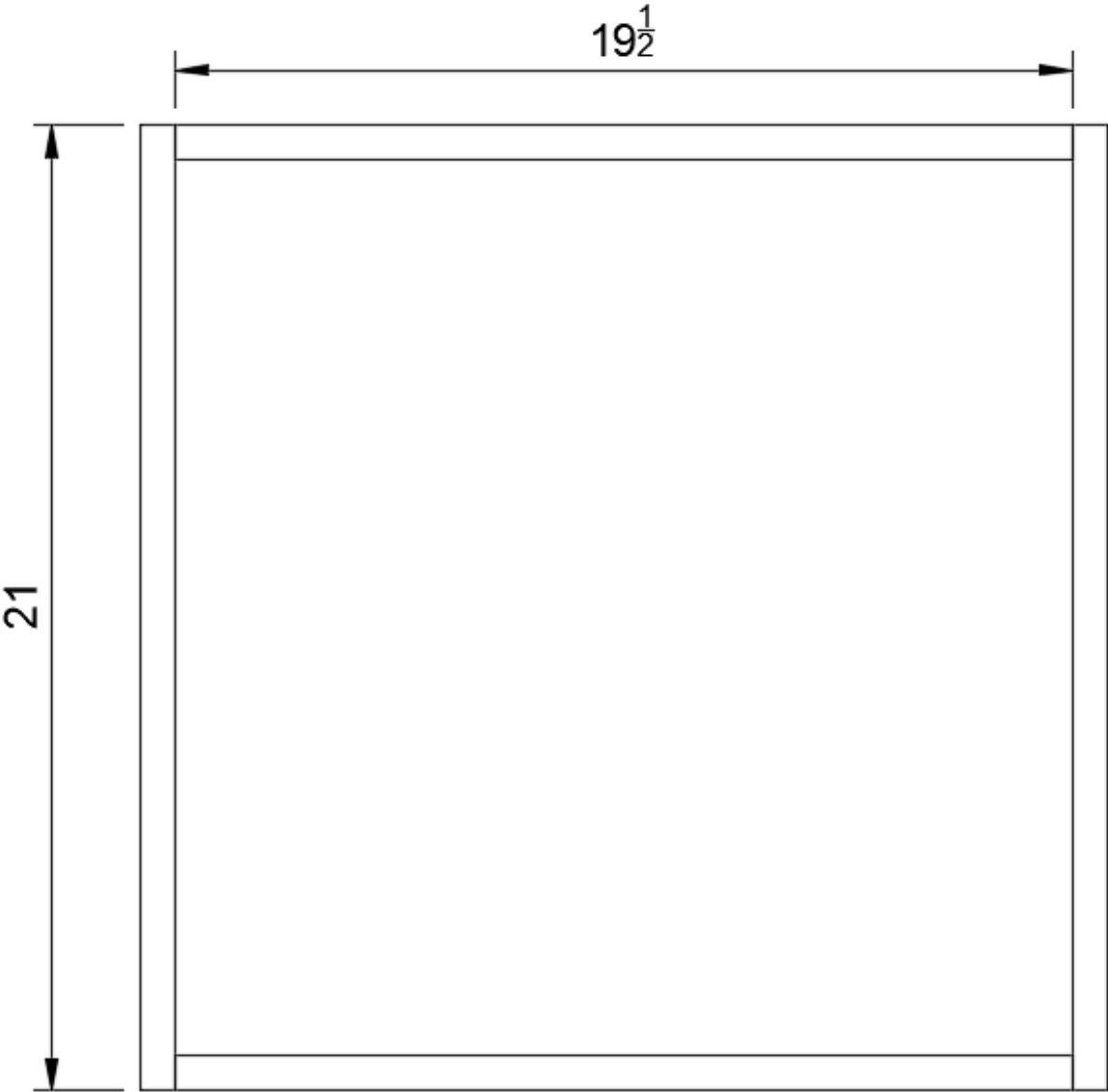


Project Notes

- These diagrams are for a right end cabinet.
 - For a left end cabinet, flip the outside trim and base to the opposite of the cabinet.
 - For a non-end cabinet, extend the base the full width of the cabinet box and leave the outside trim off
- This is for a cabinet with a width of 24 inches. Modify the width (and any corresponding measurements) as needed, but the depth and height measurements shouldn't need to change.

CABINET BASE

Top View

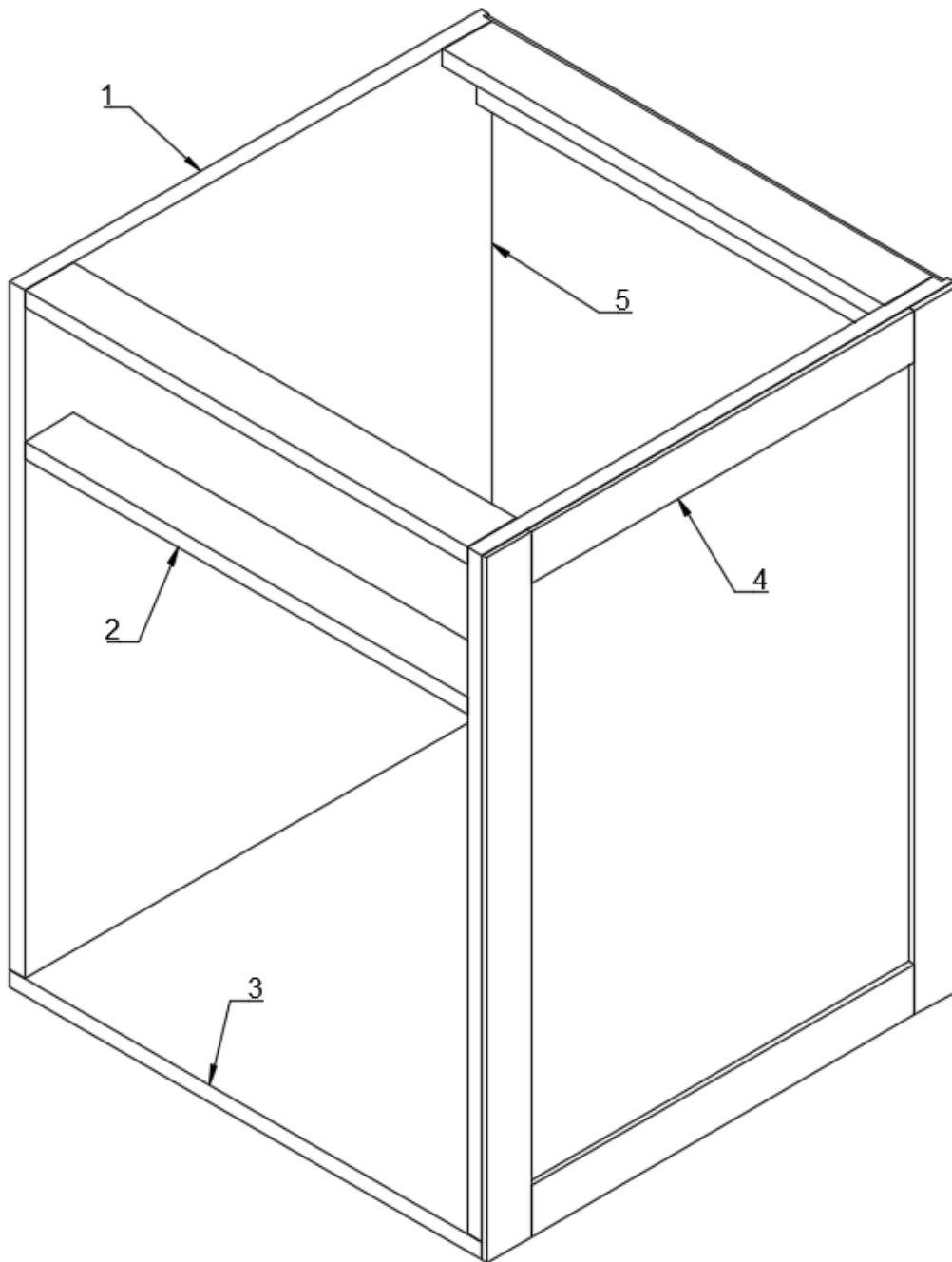


Front View



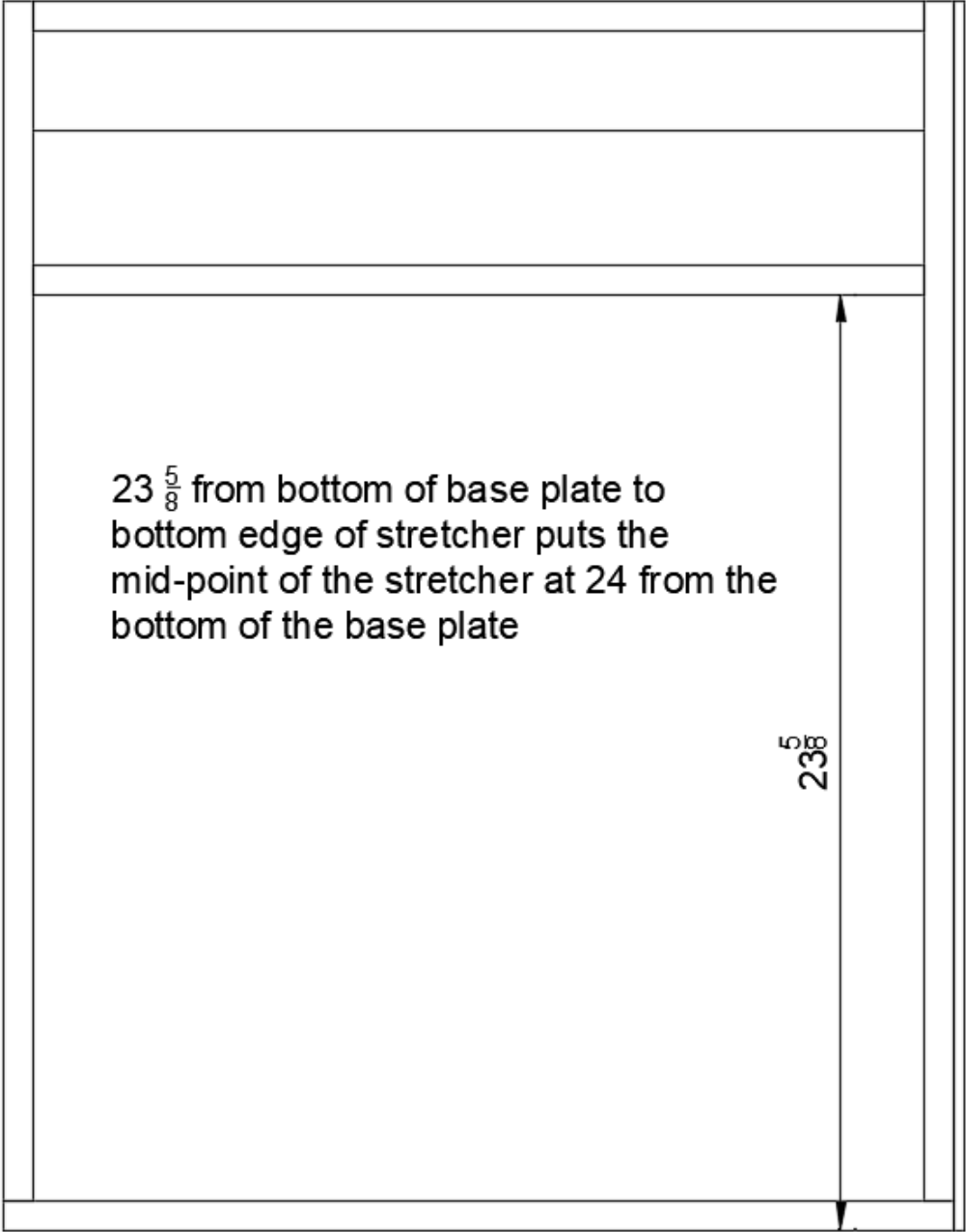
CABINET BODY

Parts List

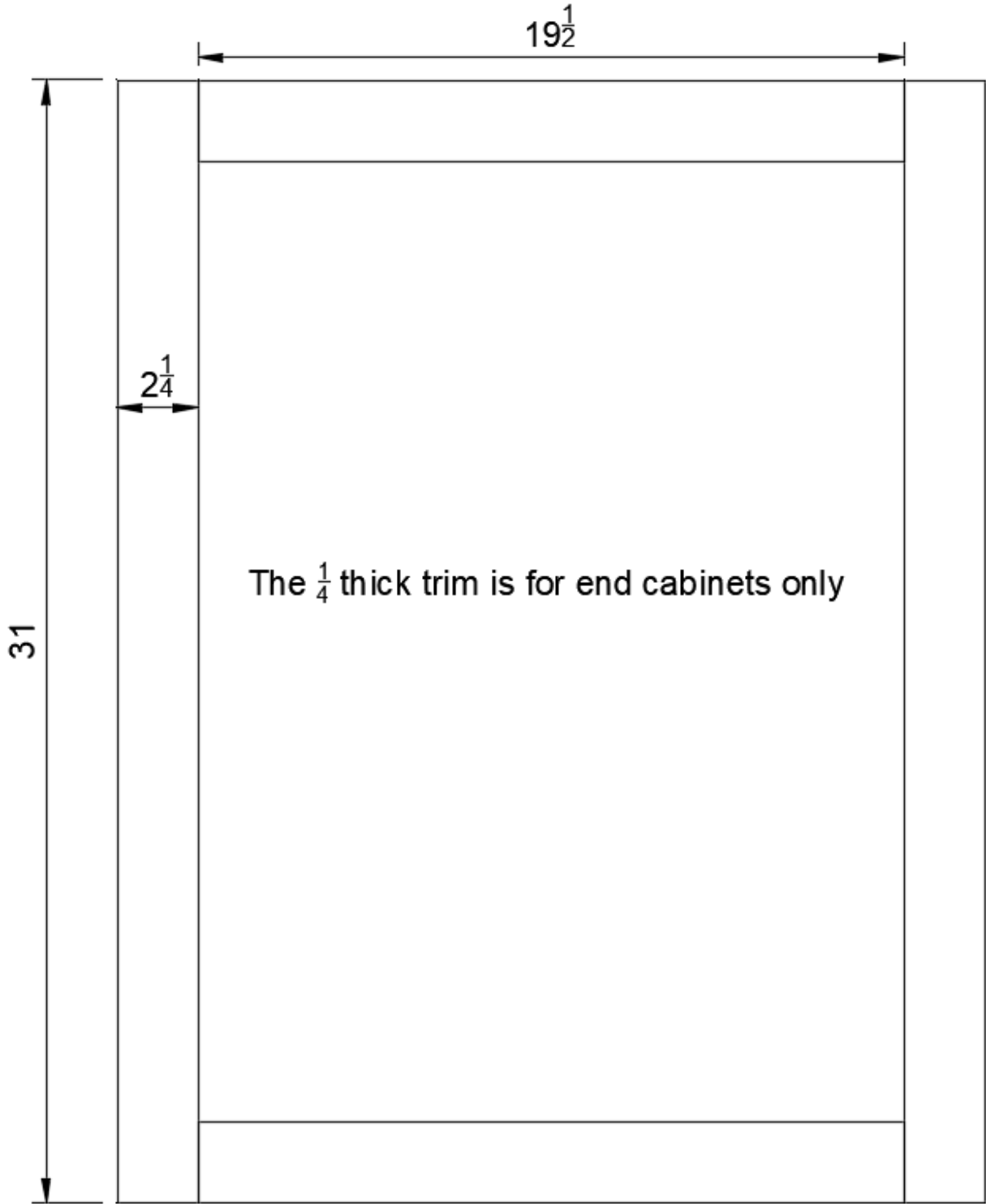


ITEM	QTY	DESCRIPTION	DIMENSIONS (IN)
1	2	Side Panels	30 ¼ x 24 x ¾
2	4	Stretchers	22 ½ x 2 ½ x ¾
3	1	Base Plate	24 x 24 x ¾
4	4	Outside Trim (only for end cabinets)	See Outside Trim View
5	1	Back Panel	30 ½ x 23 ¼ x ¼

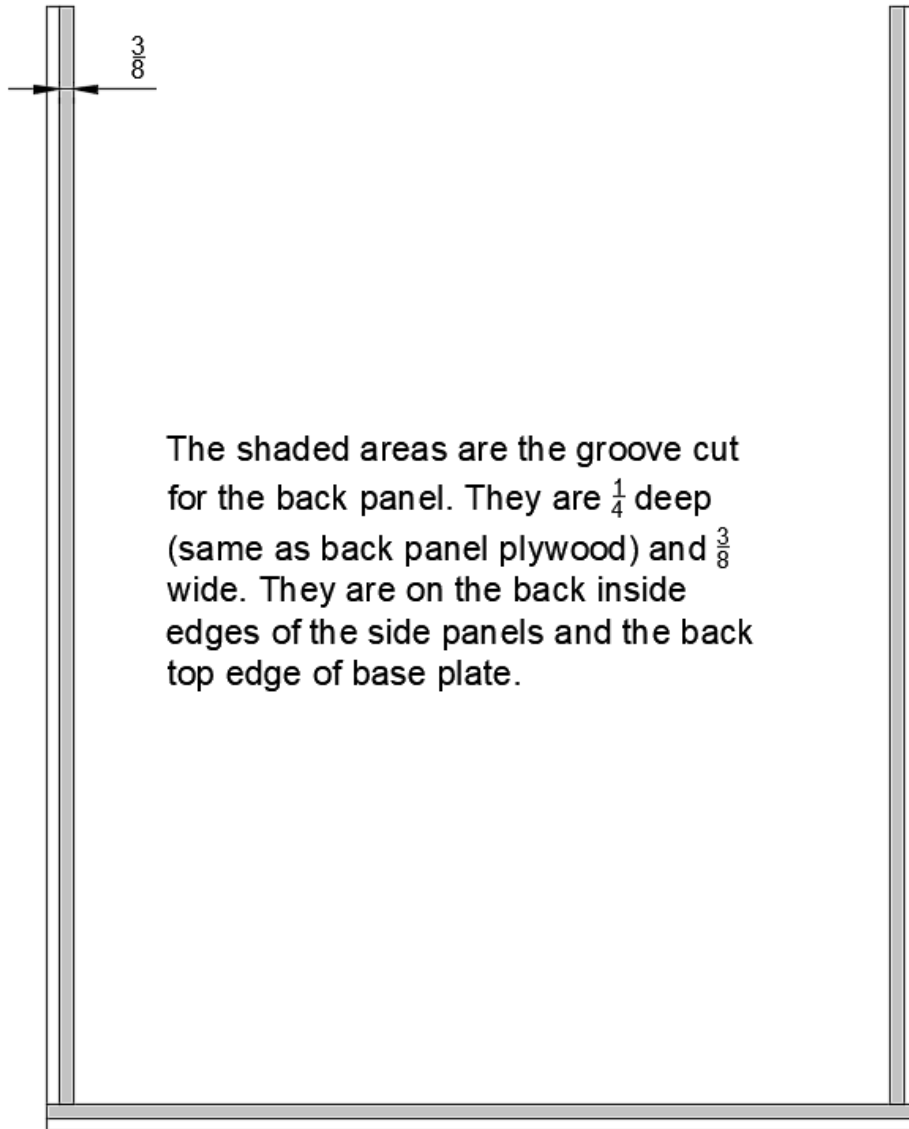
Front View



Outside Trim View

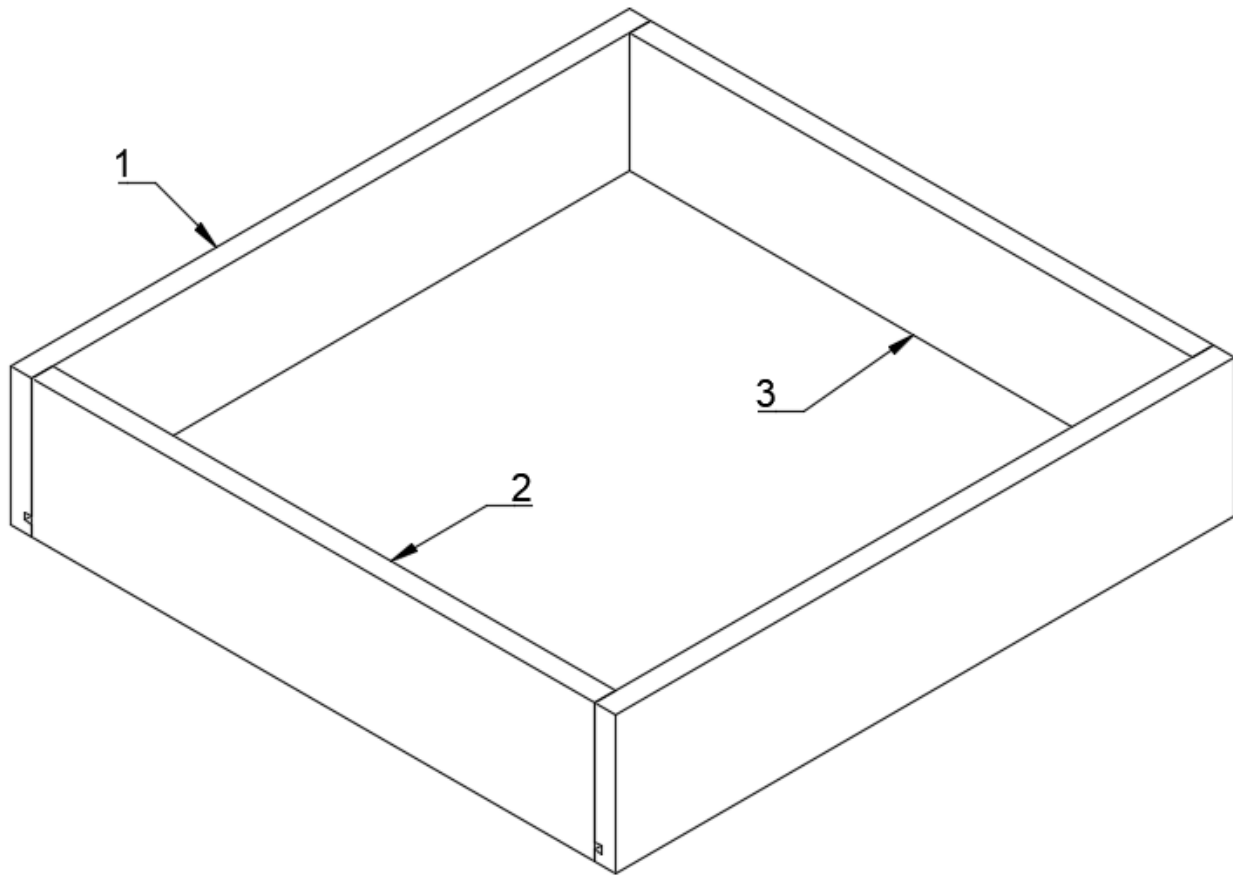


Back Panel View



CABINET DRAWER

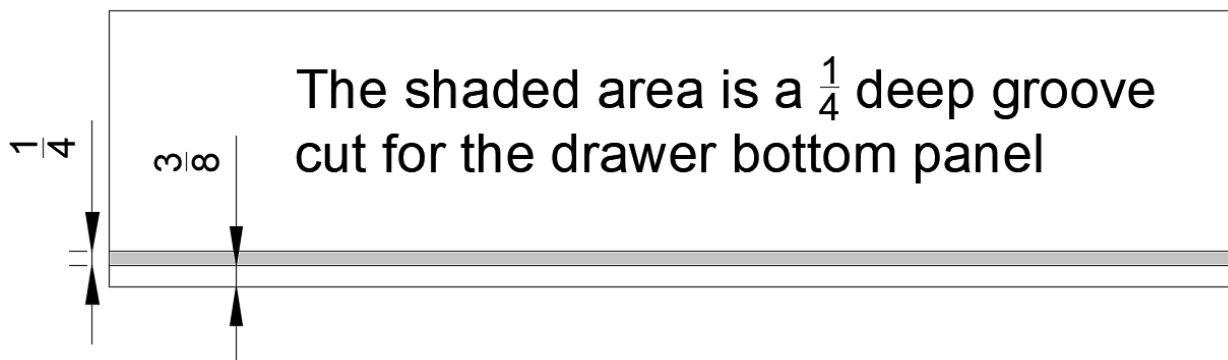
Parts List



ITEM	QTY	DESCRIPTION	DIMENSIONS (IN)
1	2	Drawer Sides	22 x 4 $\frac{7}{8}$ x $\frac{3}{4}$
2	2	Drawer Front/Back	20 x 4 $\frac{7}{8}$ x $\frac{3}{4}$
3	1	Drawer Bottom	20 $\frac{15}{16}$ x 20 $\frac{7}{16}$ x $\frac{3}{4}$

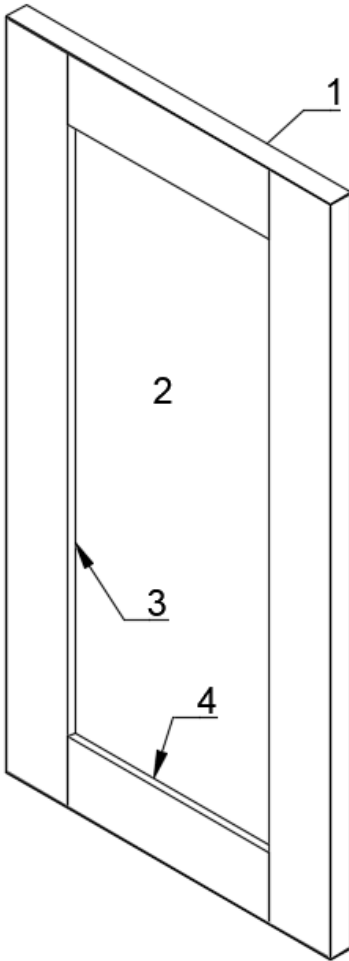
*Drawer bottom size equal to drawer inside distance + ($\frac{7}{16}$) to both width and length.

Drawer Sides View



CABINET DOORS

Parts Lists



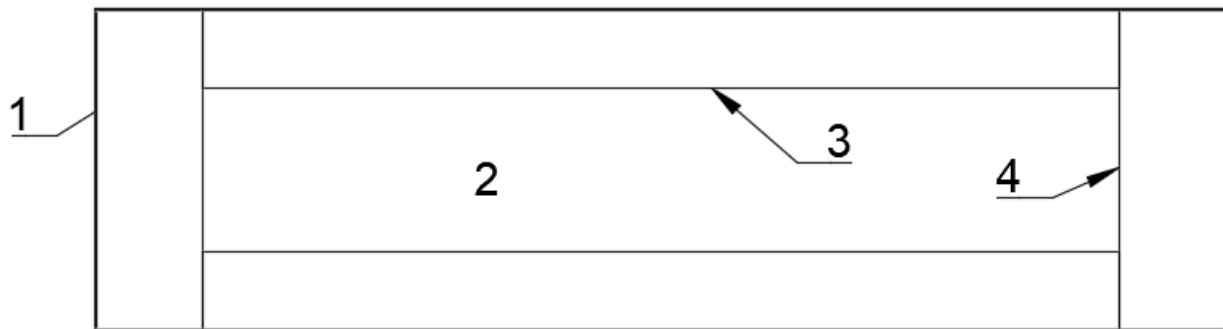
ITEM	QTY	DESCRIPTION	DIMENSIONS (IN)
1	4	Edge Banding Strips	Varies
2	1	Plywood Panel	$23 \frac{7}{8} \times 11 \frac{13}{16} \times \frac{1}{2}$
3	2	Stiles	$23 \frac{7}{8} \times 2 \frac{1}{4} \times \frac{1}{4}$
4	2	Rails	$7 \frac{5}{16} \times 2 \frac{1}{4} \times \frac{1}{4}$

Notes:

- The Plywood Panel measures $\frac{1}{16}$ less than the height and width of the door size to account for the thickness of the edge banding ($\frac{1}{32} * 2$). The actual door size is $23 \frac{15}{16} \times 11 \frac{7}{8}$.
- Quantities listed are for 1 door. Double for making 2 doors

DRAWER FACE

Parts List



ITEM	QTY	DESCRIPTION	DIMENSIONS (IN)
1	4	Edge Banding Strips	Varies
2	1	Plywood Panel	$23 \frac{13}{16} \times 6 \frac{11}{16} \times \frac{1}{2}$
3	2	Rails	$19 \frac{5}{16} \times 1 \frac{5}{8} \times \frac{1}{4}$
4	2	Stiles	$6 \frac{11}{16} \times 2 \frac{1}{4} \times \frac{1}{4}$

Notes:

- The drawer face is similar to the doors, with $\frac{1}{16}$ less height and width to account for the thickness of the edge banding. The actual drawer face size is $23 \frac{1}{16} \times 6 \frac{3}{4}$.
- For a drawer less than 7 inches tall, use rails that are not as wide so there's enough of the inset panel showing. I choose to go with $1 \frac{5}{8}$ instead of the normal $2 \frac{1}{4}$.

If you have any questions about dimensions or find a mistake in these diagrams, please contact me via email using my contact page at projectbilld.com/contact or direct message me at [projectbilld](https://www.instagram.com/projectbilld) on Instagram and I'll get back to you as soon as possible!

Happy billding!

-Bill