

Project Diagrams

SHAKER STYLE RANGE HOOD CABINET

v1.0



These diagrams are intended to supplement the project instructions found here:

projectbilld.com/blog/range-hood-cabinet

To help keep these designs free, be sure to [subscribe](#), consider [donating](#), and share where you got the inspiration from!

Contents

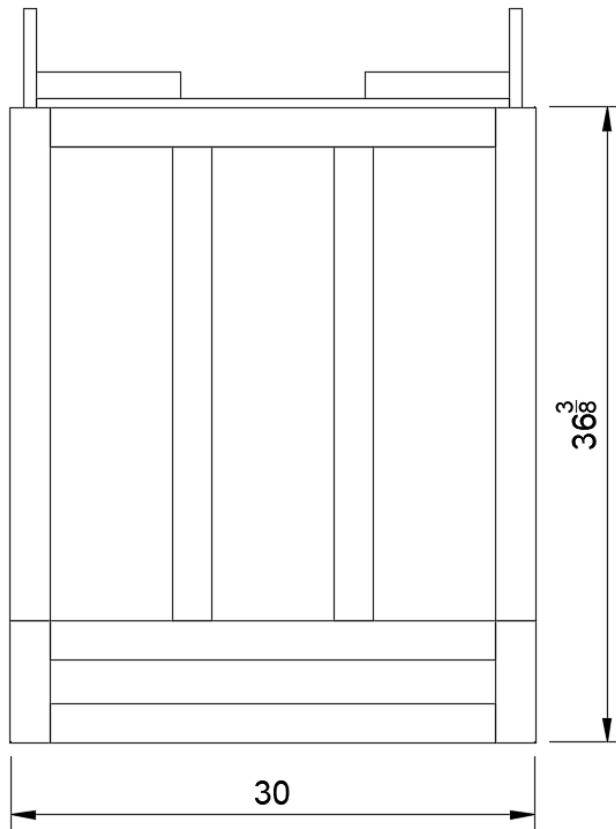
OVERVIEW..... 3

CABINET BODY 5

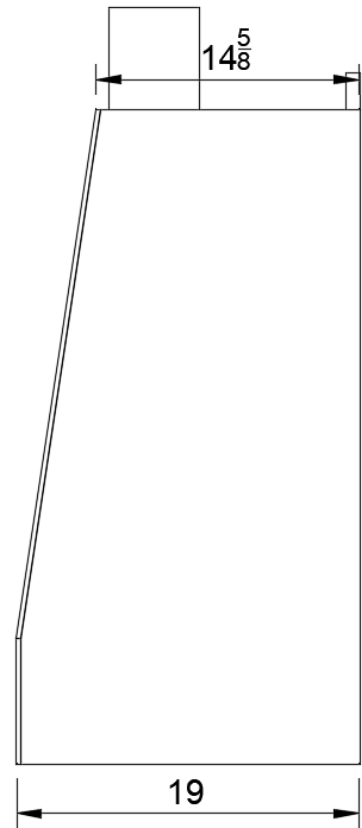
CABINET TRIM..... 8

OVERVIEW

Front View



Side View

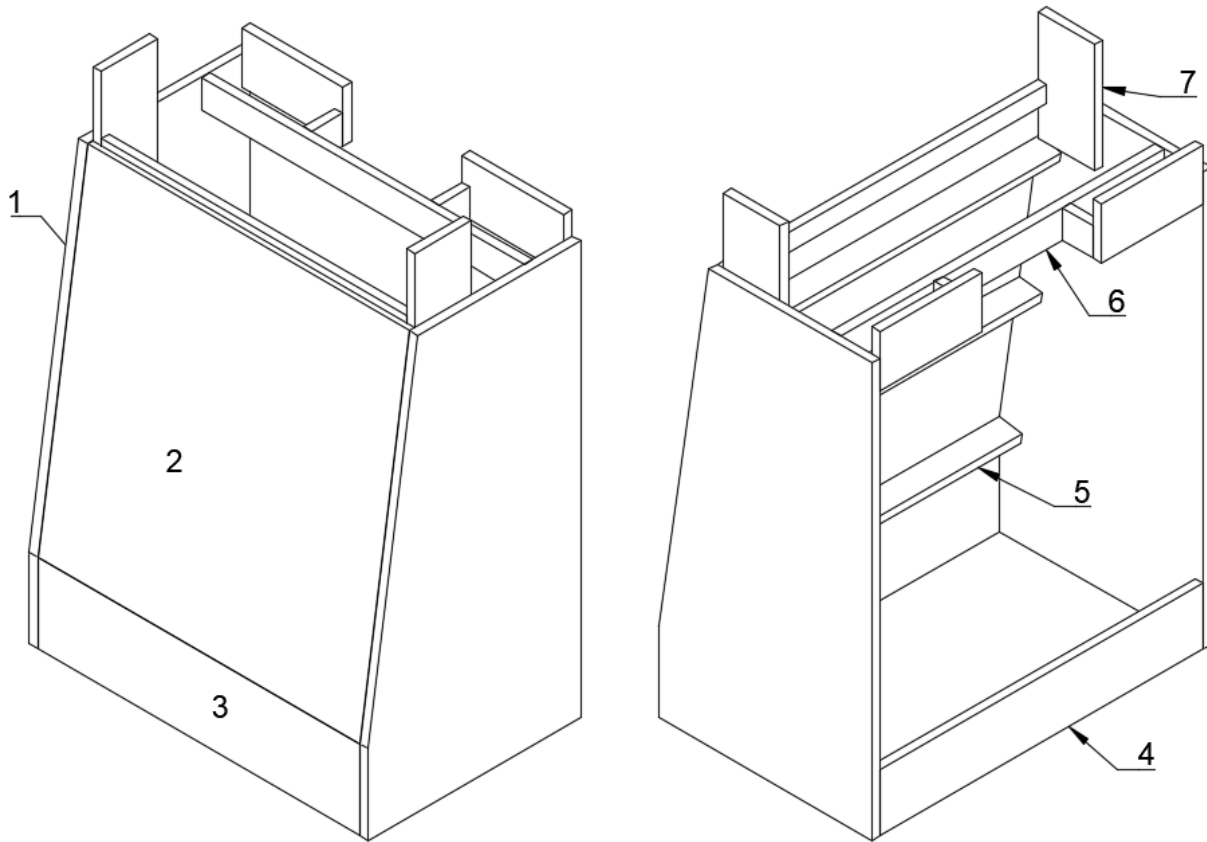


Project Notes

- All dimensions are measured in inches.
- These plans are for a standard 30 in wide range hood and are intended to work with the stacked upper cabinets that I made [here](#).
- The cabinet was designed to accommodate the fan unit and box liner I used in the video and are linked in the video description. Different (i.e. larger) box liners/fan units may require moving interior supports or changing dimensions.
- Modify the depth, width, height, and angle of the hood (and any corresponding measurements) as needed.
- This upper cabinet is intended for a kitchen with 9ft ceilings
 - For shorter ceilings, you could reduce the overall height of the range hood (steeper angle).
 - For taller ceilings, you could keep the range hood the same and add small stacked cabinets above it or increase the overall height of the range hood (gentler angle).
- I'm using a crown molding with a vertical height of 5 ½ inches. Use whatever crown molding you like but adjust the height of the rest of the range hood accordingly.

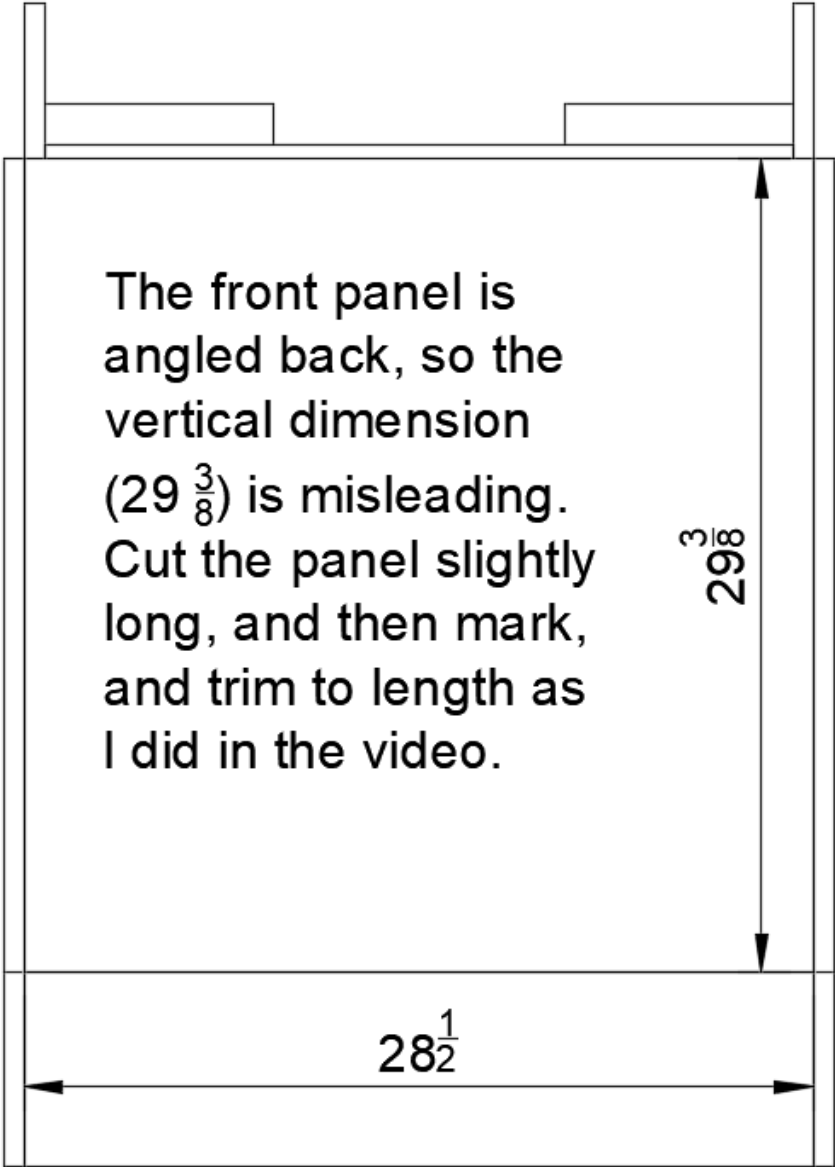
CABINET BODY

Parts List

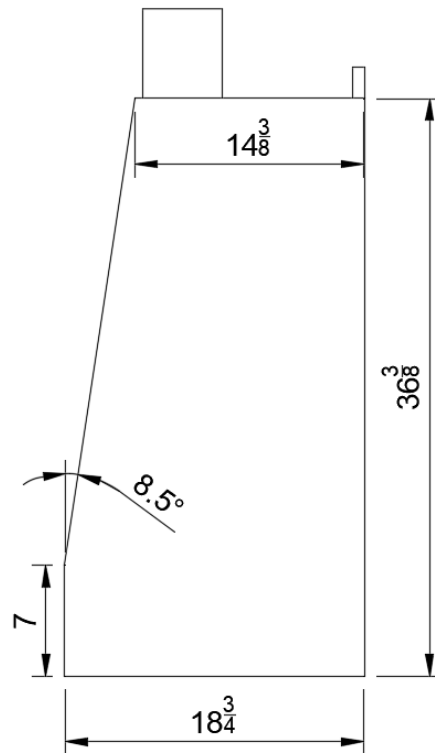


ITEM	QTY	DESCRIPTION	DIMENSIONS (IN)
1	2	Side Panels	See Side View
2	1	Front Panel	See Front View
3	1	Front Cross Support	28 ½ x 7 x ¾
4	1	Lower Rear Cross Support	28 ½ x 5 x ¾
5	3	Front Panel Supports	28 ½ x 1 ½ x ¾
6	1	Upper Rear Cross Support	See Top View
7	1	Crown Molding Support	See Top View

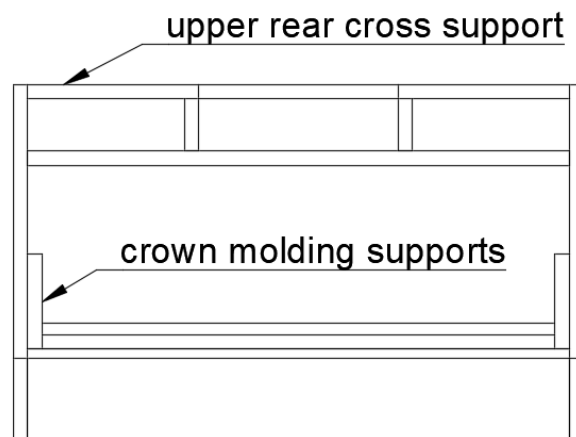
Front View



Side View



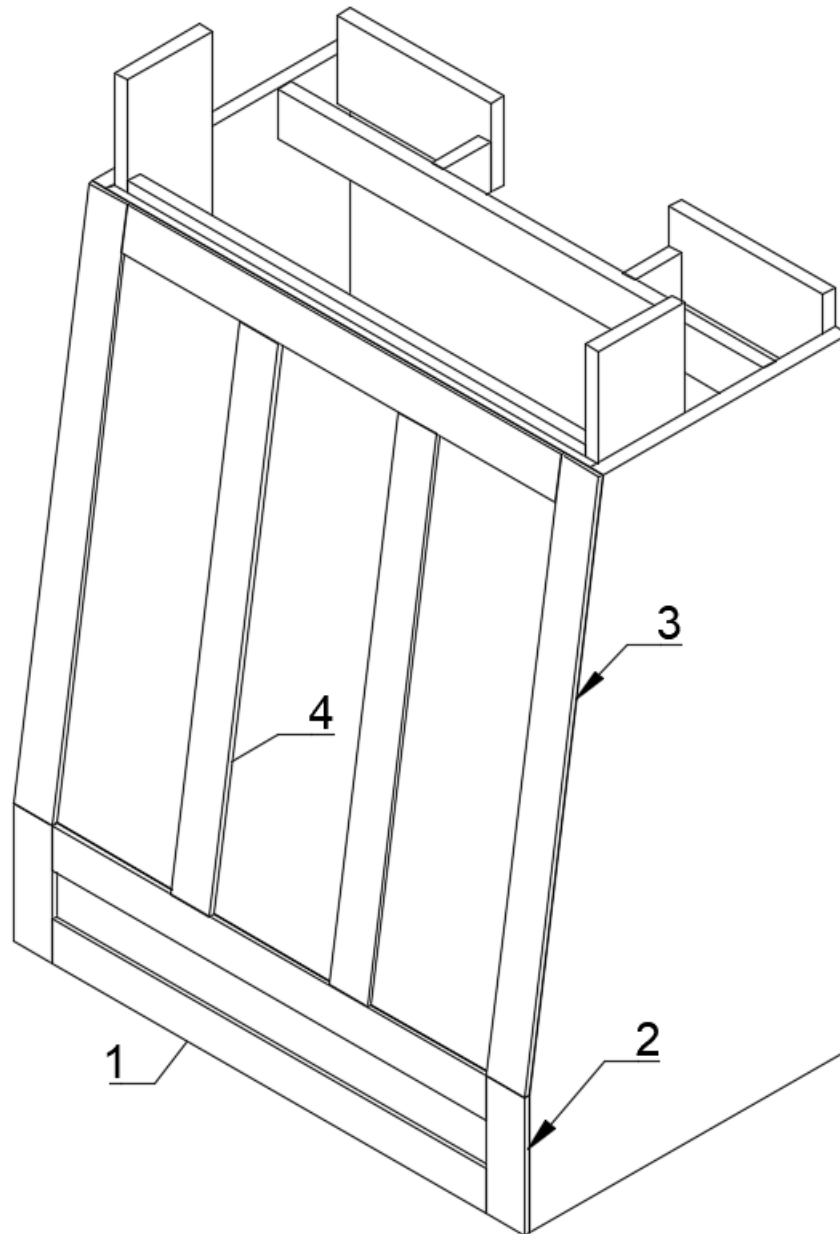
Top View



- Upper Cross Support: As mentioned in the video, this was built around my existing ducting. Hopefully, you just need a piece that goes straight across the back!
- Crown Molding Supports: These supports stick up about a half inch less than the vertical height of the crown molding so they don't interfere with the ceiling but give you enough to nail the crown into. There's a 1 ½ inch wide strip that sticks up above the top of the cabinet about half an inch to cover the gap under the crown that's screwed between the 2 supports (see video).

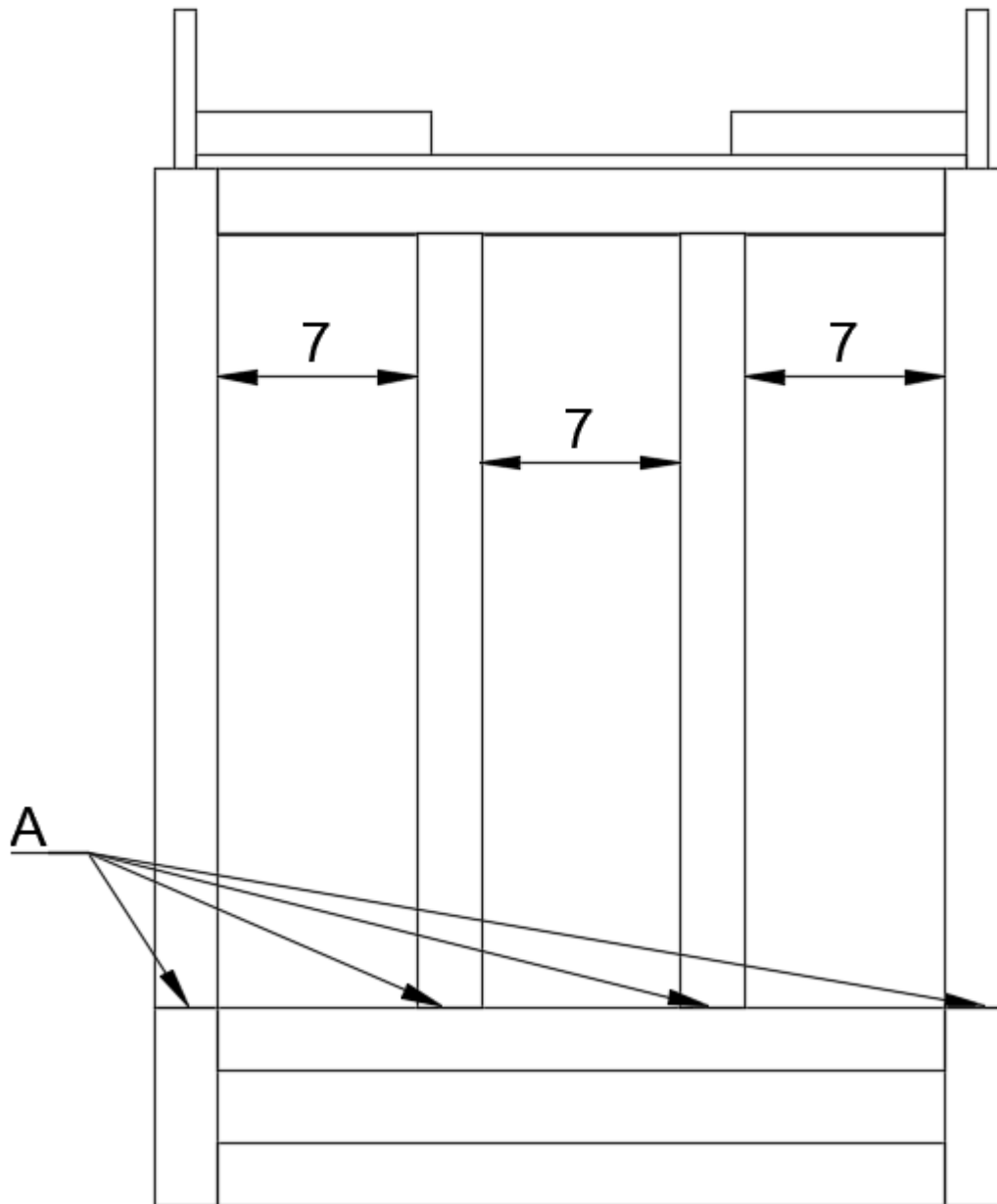
CABINET TRIM

Parts List



ITEM	QTY	DESCRIPTION	DIMENSIONS (IN)
1	3	Horizontal Rails	28 ½ x 2 ¼ x ¼
2	2	Small Vertical Pieces	7 x 2 ¼ x ¼
3	2	Edge Trim	Mark and Cut (See Video) x 2 ¼ x ¼
4	2	Middle Trim	Mark and Cut x 2 ¼ x ¼

Front View



- A: All upper vertical trim pieces have an 8.5° bevel cut on this bottom edge. The 2 outside edge pieces have a corresponding 8.5° bevel on the top end as well, the middle two pieces do not.

If you enjoyed the plans, please consider supporting my work by [donating to Project Billd](#).

If you have any questions about dimensions or find a mistake in these diagrams, please contact me via email using my contact page at projectbilld.com/contact and I'll get back to you as soon as possible!

Happy billding!

-Bill