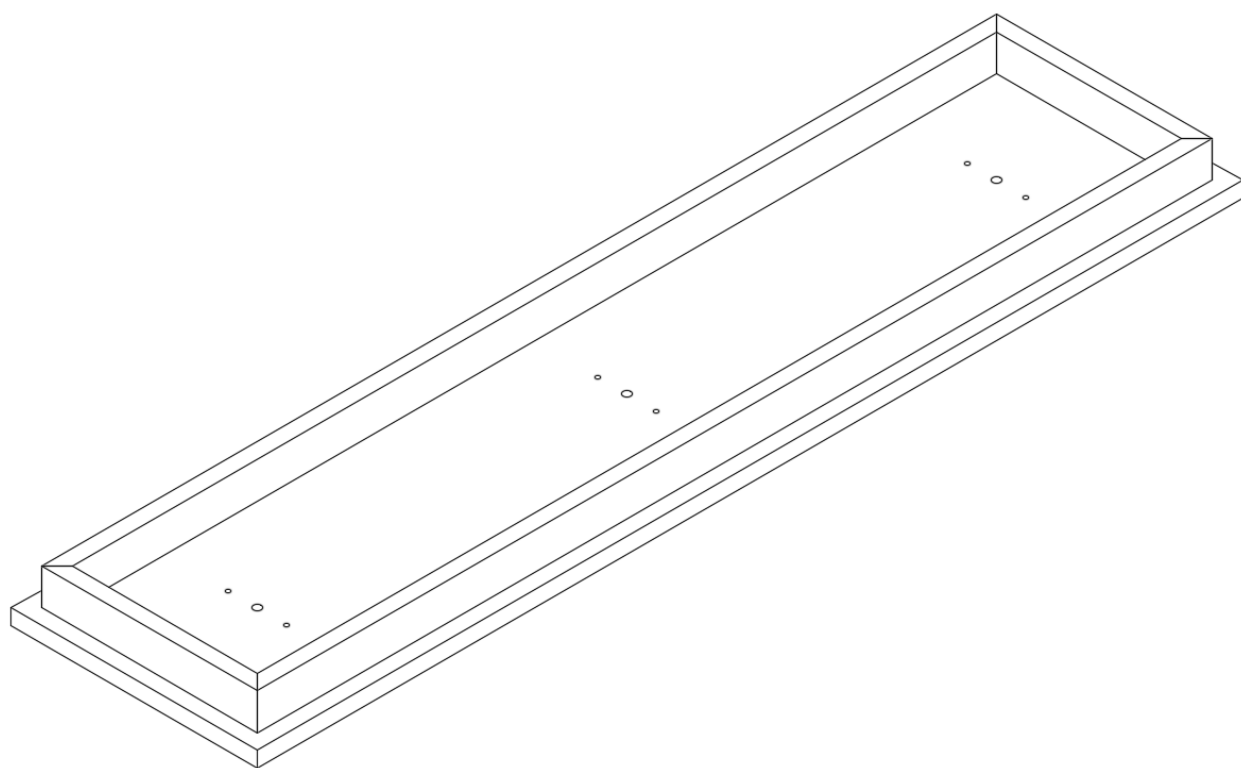


Project Diagrams

KITCHEN ISLAND LIGHT FIXTURE



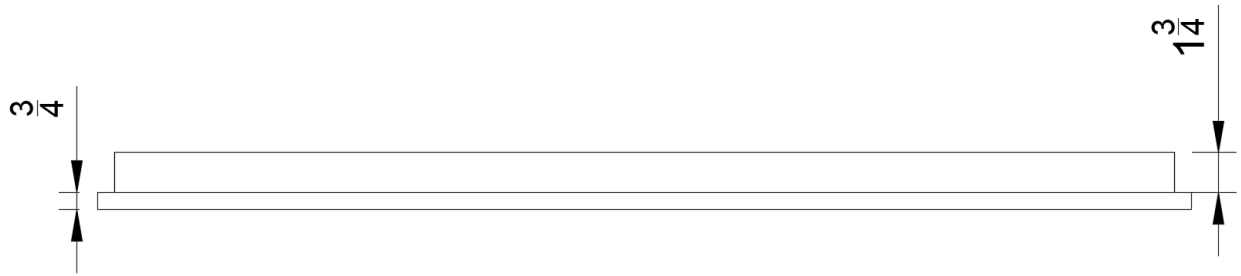
These diagrams are intended to supplement the project instructions found here:

projectbilld.com/blog/kitchen-island-light-fixture

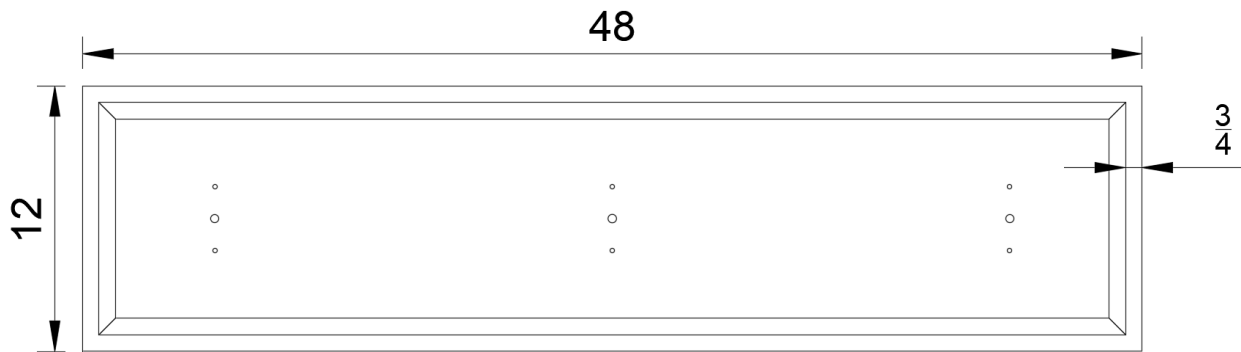
Contents

Front View	3
Top View	3
Bottom View	3

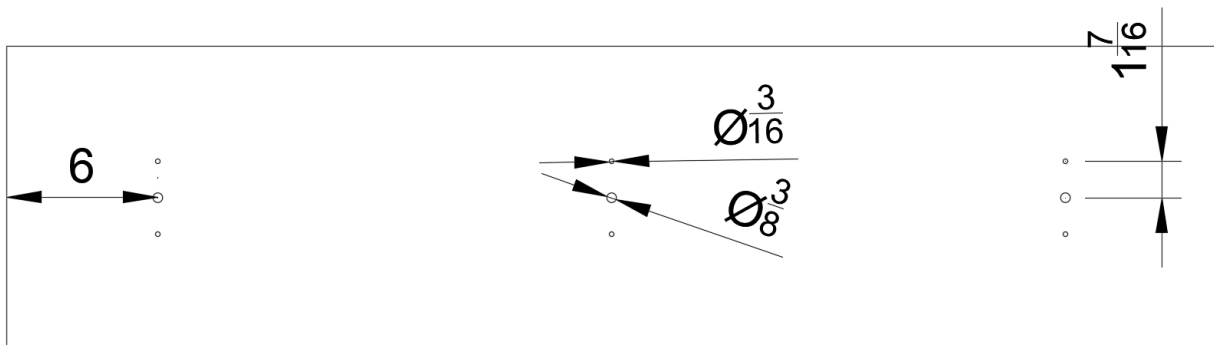
Front View



Top View



Bottom View



If you have any questions about dimensions or find a mistake in these diagrams, please contact me via email using my contact page at projectbilld.com/contact or direct message me at [projectbilld](https://www.instagram.com/projectbilld) on Instagram and I'll get back to you as soon as possible!

Happy billding!

-Bill